

**Material & Characer**

Import Ploycarbonate or ABS prismatic LENS ,Aluminium alloy  
 Suitable Place:  
 Emporium hall,station,workshop,supemarket,warehouse and so on.  
 Basic Information

**Model No:DLCCx-2(S,F)11DL / DLCCx-3(S,F)11DL**

Weight : 108g  
 Dimension : Φ60mmx25mm

Application :  
 Indoor and Outdoor Commercial and Residential Architectural lighting  
 Technical Information

**Cap Base :Circular Down Gimbal Linght Module**

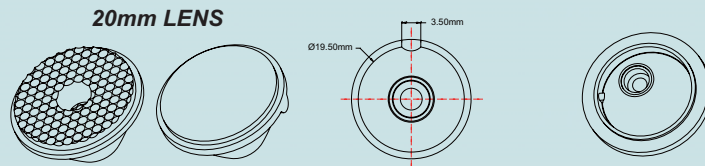
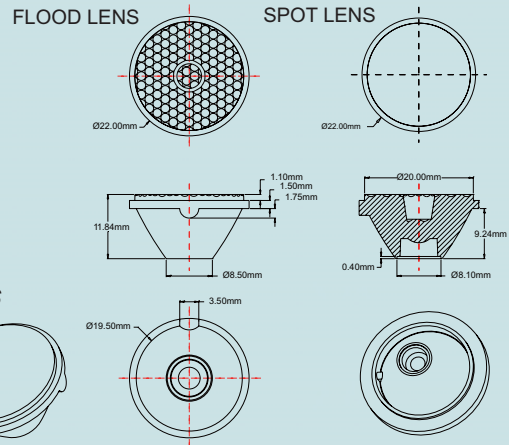
LED Constant Current : 350mA  
 Watt(W):1x1W  
 Volt(V) :12Vdc or 24Vdc  
 Correlated Color Temperature(CCT):4500K~8000K [White]  
 Correlated Color Temperature(CCT):3000K~3800K [WarmWhite]  
 LED color:White,WarmWhite,R,G,B,Amber.....  
 Illuminance :20mm Spot 520cd Flood 75cd Lux/1m  
 Housing Color:Black,White,Dark Silver.....  
 LENS Material :PMMA  
 Operation Temperature : 85°C  
 Environment Temperature : Under 50°C



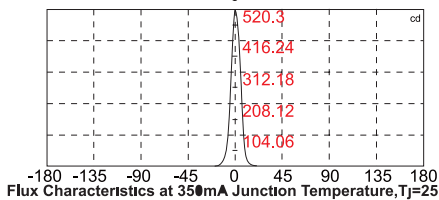
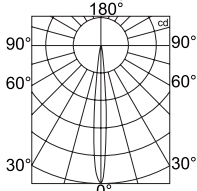
**We use LUXEON LED**

**LED Driver 350mA Constant Current  
 DC to DC Constant Current Power Supply 1.2Watts**

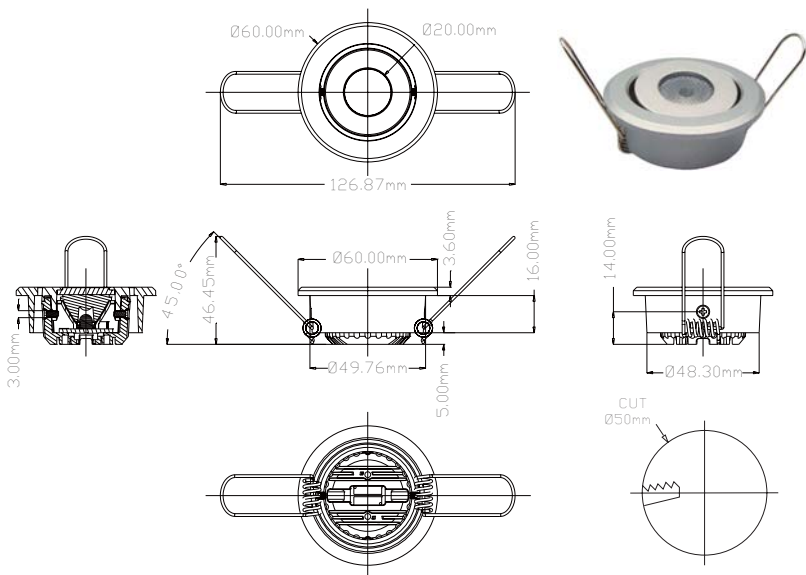
**Specifications :**  
**Input Range : 12Vdc or 24Vdc**  
**DC Output Range : MIN-4.5Vdc MAX-24Vdc (350mA)**  
**Efficiency : 85% Typical**  
**Output Current Regulation : ±5%**  
**Protection : SCP - Auto Recovery**  
**Operation Temp. : -20°C ~ +70°C**  
**Storage Temp. : -40°C ~ +85°C**



Relative Intensity Distribution



LED Color	LUXEON Emitter	Minimum Luminous Flux(lm) or Radiometric Power(mW)	Typical Luminous Flux(lm) or Radiometric Power(mW)	Radiation Pattern
White	LXHL-BW02	30.6	45	
Warm White	LXHL-BW03	13.9	20	
Green	LXHL-BM01	30.6	53	
Cyan	LXHL-BE01	30.6	45	
Blue	LXHL-BB01	8.2	16	
Royal blue	LXHL-BR02	145mW	220mW	Batwing
Red	LXHL-BD01	13.9	27	
Red	LXHL-BD03	30.6	42	
Red-Orange	LXHL-BH03	39.8	55	
Amber	LXHL-BL01	10.7	25	
Amber	LXHL-BL03	23.5	42	



Padlation Pattern:Batwing , Lambertian

