

Down Light Series

High Brightness LED Lighting Fixture

Document Reference #: APN001a
Issue Date: September 14, 2005

Introducing the next generation of Solid State Lighting. These ergonomic High Brightness LED Lighting Fixture adopt the most advanced high bright LEDs in a standard down light form-factor for easy installation or replacement of existing fixture. The state of the art LED driver (power supply) provides constant current to enhance the consistency of LED color temperature, life expectancy. And its known benefit of energy saving and durability for nearly maintenance free fixtures.

Product features:

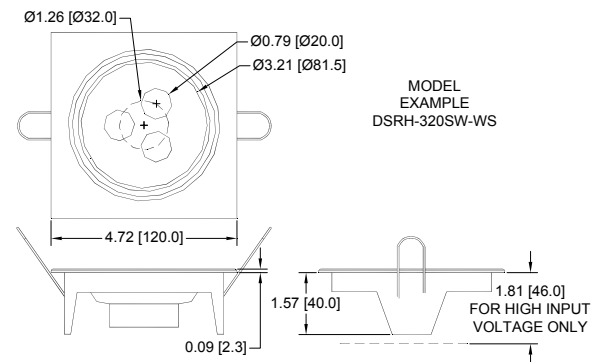
- Various input selections - AC full range 110 ~ 240VAC, 24VAC or 24VDC
- Three (3) high bright LED in 1-Watt or 3-Watt capacities.
- Custom lens provides 10 degree and 20 degree light output.
- Switch-mode constant current driver built-in
- Fixed or versatile swivel design
- Spring loaded clips for easy installation
- Various color selections are also available



Electrical Specification:

Input	110-240VAC, 50/60Hz 24VAC or 24VDC
Power Consumption	1W LED - 4-Watts typ. 3W LED - 8.75-Watts typ.
Efficiency	90% typ.
THD	.80
Crest Factor	1.5 max.
VF	7.5 – 12VDC typ.
Forward Current	1W LED - 350mA typ. 3W LED - 700mA typ.

Mechanical Specifications:



Model Selection:

D	2	3	4	-	5	6	6	7	8	-	9	10	11
---	---	---	---	---	---	---	---	---	---	---	---	----	----

D	Down light series
2 – Rotation of the unit	Non-swivel / Swivel
3 – Shape of the unit	Long / Round / Oval
4 – Input Voltage options	H-AC110/ A-AC24/ D-DC24
5 – Power of LED	1-Watt or 3-Watts
6 – Lens Size	20 / 30
7 – Lens Type	Spot / Flood
8 – LED Color	White / Red / Blue / Green
9 – Frame Color	White / Black / Champagne
10- Frame Shape	Square / Round
11- Reserved	Reserved

