
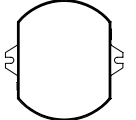
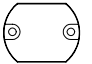


Connection Method for 3W LED Downlight

Drivers	DNRN-335S/F	DNRN-320S/F	DNLN-320S/F	DN0N-330S/F	DNRN-330S/F
<p>LP1020-24-C0700</p>  <p>AC Input : 100~240Vac / 0.3A DC Output : 12V~24Vdc/700mA LED LIGHT : 4 ~ 6 pce / 3W Dim. : 95Lx40Wx25H (mm)</p>	<p>AC INPUT</p> <p>LED3Wx6PCS</p>	<p>AC INPUT</p> <p>LED3Wx6PCS</p>	<p>AC INPUT</p> <p>LED3Wx6PCS</p>	<p>AC INPUT</p> <p>LED3Wx6PCS</p>	<p>AC INPUT</p> <p>LED3Wx6PCS</p>
<p>LP1025-36-C0700</p>  <p>AC Input : 100~240Vac / 0.4A DC Output : 18V~36Vdc/700mA LED LIGHT : 5 ~ 10 pce / 3W Dim. : 80Rlx26H (mm)</p>	<p>AC INPUT</p> <p>LED3Wx10PCS</p>	<p>AC INPUT</p> <p>LED3Wx9PCS</p>	<p>AC INPUT</p> <p>LED3Wx9PCS</p>	<p>AC INPUT</p> <p>LED3Wx10PCS</p>	<p>AC INPUT</p> <p>LED3Wx9PCS</p>
<p>CC1512DP-700</p>  <p>DC Input : 24~28Vdc / 0.7A DC Output : 2V~22Vdc/700mA LED LIGHT : 1 ~ 6 pce / 3W Dim. : 45Lx34Hx19H (mm)</p>	<p>AC INPUT</p> <p>LED3Wx6PCS</p>	<p>AC INPUT</p> <p>LED3Wx6PCS</p>	<p>AC INPUT</p> <p>LED3Wx6PCS</p>	<p>AC INPUT</p> <p>LED3Wx6PCS</p>	<p>AC INPUT</p> <p>LED3Wx6PCS</p>