

Material & Characer

Import Polycarbonate or ABS prismatic LENS ,Aluminium alloy
 Suitable Place:
 Emporium hall,station,workshop,supemarket,warehouse and so on.
 Basic Information

Model No:DLCnx-3(S,F)33DL / DLCnx-3(S,F)33DH

Weight : 250g
 Dimension : Φ95x54mm & Φ95x41mm
 Application :

Indoor and Outdoor Commercial and Residential Architectural lighting
 Technical Information

Cap Base :Circular Fixed Down Lighth Module

LED Constant Current : 700mA
 Watt(W):3x3W
 Volt(V) :90~240Vac & 12Vac 24Vdc
 Line Frequency (Hz) : 50/60Hz
 Correlated Color Temperature(CCT):4500K~8000K [White-LED]
 Correlated Color Temperature(CCT):3200K~3500K [WarmWhite-Color LENS]
 LED color:White,WarmWhite,R,G,B,Amber.....
 Illuminance :30mm Spot 5460cd Flood 606cd Lux/1m
 Color LENS:30mm Spot 2819cd Flood 304cd Lux/1m
 Housing Color:Black,White,Dark Silver,Champagne.....
 LENS Material :PMMA
 Operation Temperature : 85°C
 Environment Temperature : Under 50°C



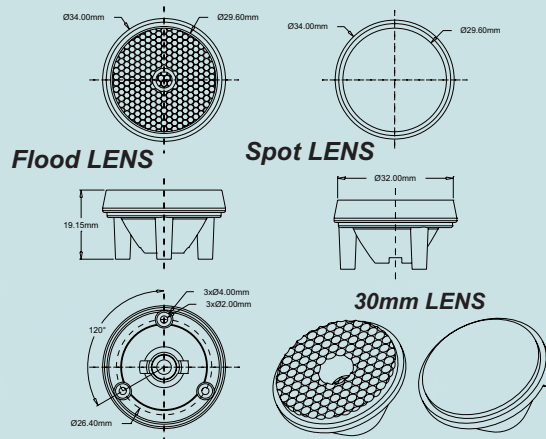
We use LUXEON LED

LED Driver 700mA Constant Current

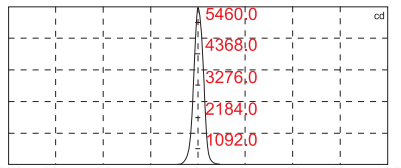
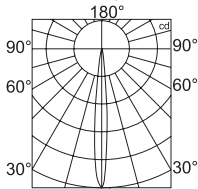
H-TYPE:AC to DC , Constant Current Power Supply 25Watts(max)
 L-TYPE:DC to DC , Constant Current Power Supply 21.5Watts(max)

Specifications :

H-TYPE:Input Range : 90~263Vac, 47Hz~63Hz
 Input Current:0.4A MAX,AT 115Vac &230Vac,FULL LOAD
 DC Output Range : MIN-8Vdc MAX-12Vdc (700mA)
 L-TYPE: Input Range : 10~15Vac,12~40Vdc
 DC Output Range : MIN-2Vdc MAX-21.5Vdc (700mA)
 Efficiency : 85% Typical at maximum load
 Output Current Regulation : ±5%
 Protection : SCP - Auto Recovery
 Operation Temp. : -20°C ~ +70°C
 Storage Temp. : -40°C ~ +85°C
 EMI Stantards: 47CFR, Part 2, Part 15 and Cispr PUB,22 Class B

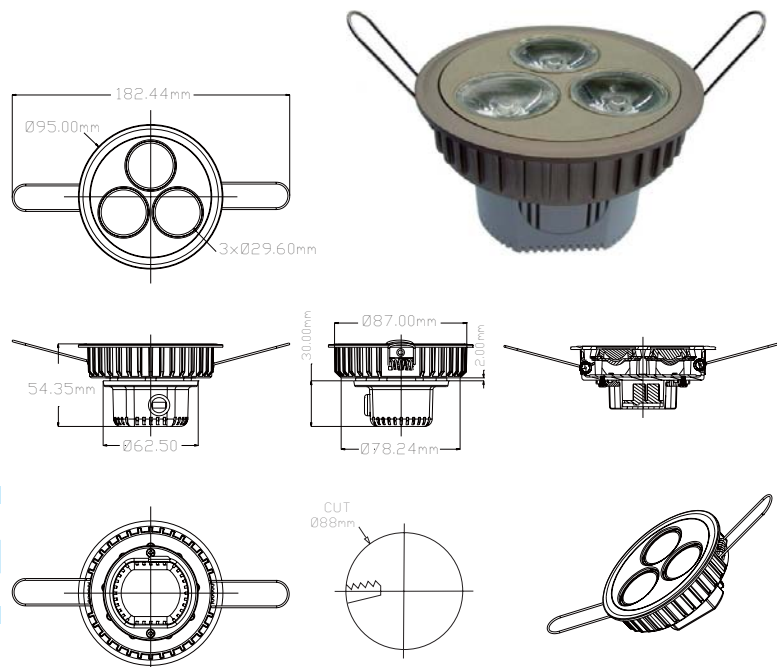


Relative Intensity Distribution



Flux Characteristics at 700mA Junction temperature, I_v=25

LED Color	LUXEON Emitter	Minimum Luminous Flux(lm) or Radiometric Power(mW) φ _v [1,2]	Typical Luminous Flux(lm) or Radiometric Power(mW) φ _v [2]	Radiation Pattern
White	LXHL-LW3C	60.0	65	Lambertian
Green	LXHL-LM3E	51.7	64	
Cyan	LXHL-LE3C	51.7	64	
Blue	LXHL-LB3C	13.9	23	
Royal blue	LXHL-LR3C	275mW	340mW	
Red	LXHL-LD3C	627nm		
Red-Orange	LXHL-LH3C	617nm		
Amber	LXHL-LL3C	590nm		



Padlation Pattern: Lambertian

