
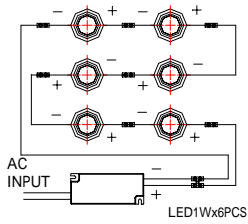
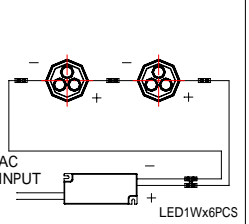
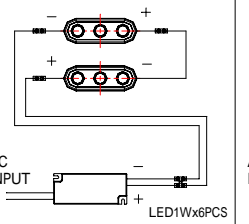
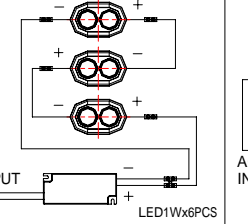
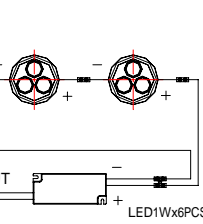
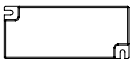
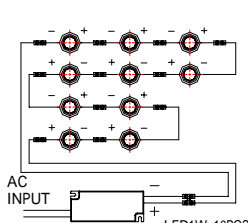
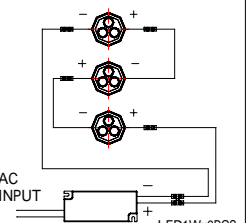
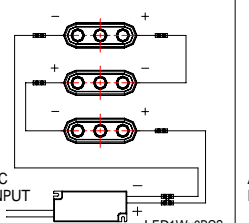
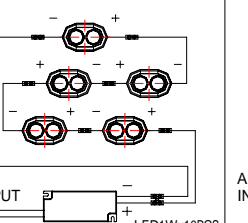
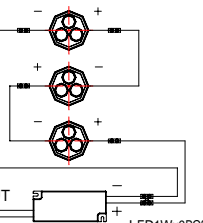

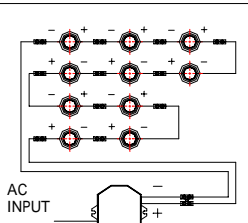
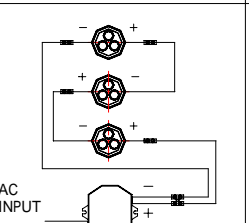
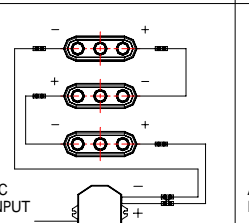
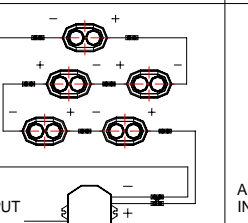
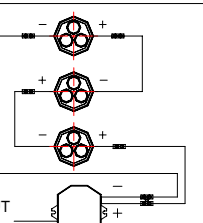
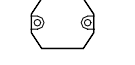
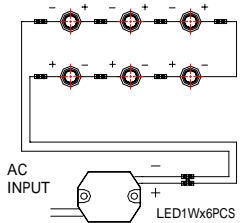
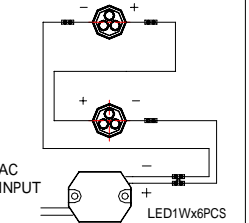
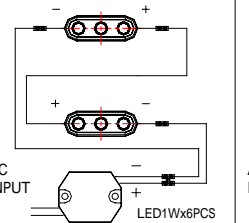
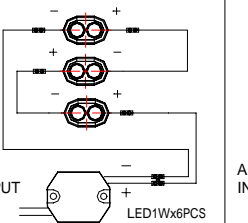
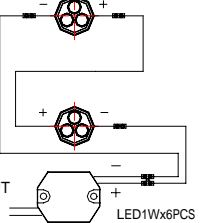


# Connection Method for 1W LED Downlight

Drivers	DNRN-135S/F	DNRN-120S/F	DNLN-120S/F	DNON-130S/F	DNRN-130S/F
<p><b>LP1020-24-C0350</b></p>  <p>AC Input : 100~240Vac / 0.3A DC Output : 12V~24Vdc/350mA LED LIGHT : 4 ~ 6 pce x 1W Dim.: 95Lx40Wx25H ( mm )</p>	 <p>LED1Wx6PCS</p>	 <p>LED1Wx6PCS</p>	 <p>LED1Wx6PCS</p>	 <p>LED1Wx6PCS</p>	 <p>LED1Wx6PCS</p>
<p><b>LP1020-36-C0350</b></p>  <p>AC Input : 100~240Vac / 0.3A DC Output : 18V~36Vdc/350mA LED LIGHT : 5 ~ 10 pce x 1W Dim. : 95Lx40Wx25H ( mm )</p>	 <p>LED1Wx10PCS</p>	 <p>LED1Wx9PCS</p>	 <p>LED1Wx9PCS</p>	 <p>LED1Wx10PCS</p>	 <p>LED1Wx9PCS</p>
<p><b>LP1025-36-C0350</b></p>  <p>AC Input : 100~240Vac / 0.4A DC Output : 18V~36Vdc/350mA LED LIGHT : 5 ~ 10 pce x 1W Dim. : 80R x 26H ( mm )</p>	 <p>LED1Wx10PCS</p>	 <p>LED1Wx9PCS</p>	 <p>LED1Wx9PCS</p>	 <p>LED1Wx10PCS</p>	 <p>LED1Wx9PCS</p>
<p><b>CC1512DP-350</b></p>  <p>DC Input : 24~28Vdc / 0.35A DC Output : 2V~22Vdc/350mA LED LIGHT : 1 ~ 6 pce x 1W Dim. : 45Lx34Wx19H ( mm )</p>	 <p>LED1Wx6PCS</p>	 <p>LED1Wx6PCS</p>	 <p>LED1Wx6PCS</p>	 <p>LED1Wx6PCS</p>	 <p>LED1Wx6PCS</p>