

**Material & Characer**

Import Ploycarbonate or ABS prismatic LENS ,Aluminium alloy  
 Suitable Place:  
 Emporium hall,station,workshop,supemarket,warehouse and so on.  
 Basic Information

**Model No:DLCCx-3(S,F)33DL / DLCCx-3(S,F)33DH**

Weight : 480g  
 Dimension :  $\Phi 130 \times 40 \text{mm}$  &  $\Phi 130 \times 40 \text{mm}$

Application :  
 Indoor and Outdoor Commercial and Residential Architectural lighting  
 Technical Information

**Cap Base :Square Gimbal Down Linght Module**

LED Constant Current : 700mA  
 Watt(W):3x3W  
 Volt(V) :90~240Vac & 12Vac 24Vdc  
 Line Frequency (Hz) : 50/60Hz  
 Correlated Color Temperature(CCT):4500K~8000K [White-LED]  
 Correlated Color Temperature(CCT):3200K~3500K [WarmWhite-Color LENS]  
 LED color:White,WarmWhite,R,G,B,Amber.....  
 Illuminance :30mm Spot 5460cd Flood 606cd Lux/1m  
 Color LENS:30mm Spot 2819cd Flood 304cd Lux/1m  
 Housing Color:Black,White,Dark Silver,Champagne.....  
 LENS Material :PMMA  
 Operation Temperature : 85°C  
 Environment Temperature : Under 50°C



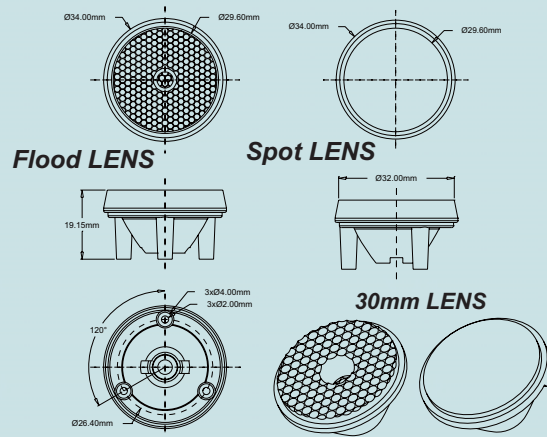
**We use LUXEON LED**

**LED Driver 700mA Constant Current**

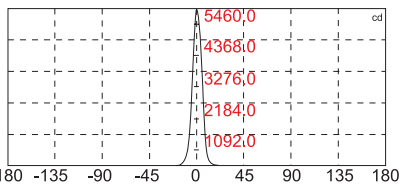
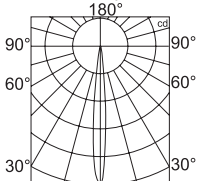
H-TYPE:AC to DC , Constant Current Power Supply 25Watts(max)  
 L-TYPE:DC to DC , Constant Current Power Supply 21.5Watts(max)

Specifications :

H-TYPE:Input Range : 90~263Vac, 47Hz~63Hz  
 Input Current:0.4A MAX,AT 115Vac & 230Vac,FULL LOAD  
 DC Output Range : MIN-8Vdc MAX-12Vdc (700mA)  
 L-TYPE: Input Range : 10~15Vac,12~40Vdc  
 DC Output Range : MIN-2Vdc MAX-21.5Vdc (700mA)  
 Efficiency : 85% Typical at maximum load  
 Output Current Regulation :  $\pm 5\%$   
 Protection : SCP - Auto Recovery  
 Operation Temp. : -20°C ~ +70°C  
 Storage Temp. : -40°C ~ +85°C  
 EMI Stantards: 47CFR, Part 2, Part 15 and Cispr PUB,22 Class B

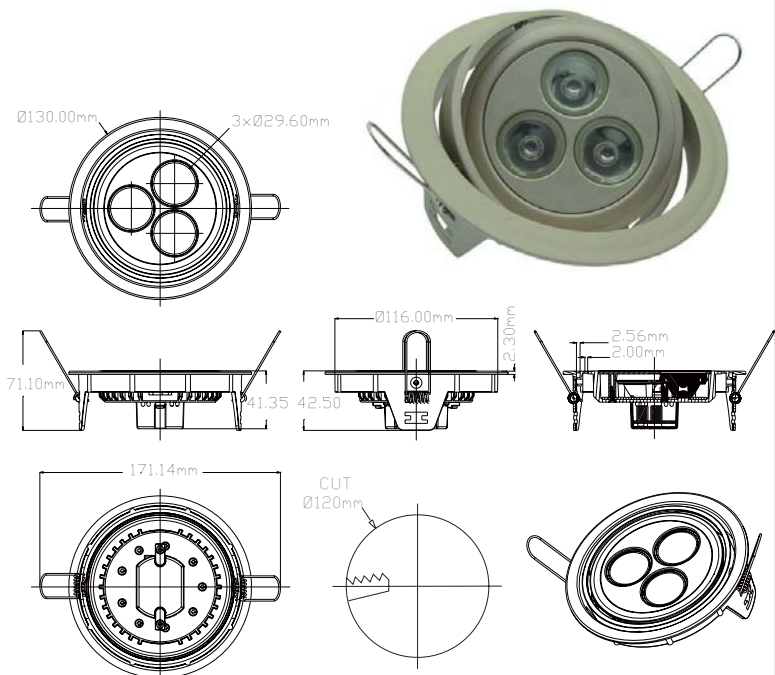


Relative Intensity Distribution



Flux Characteristics at 700mA Junction Temperature, Tj=25

LED Color	LUXEON Emitter	Minimum Luminous Flux(lm) or Radiometric Power(mW) $\phi_s [1,2]$	Typical Luminous Flux(lm) or Radiometric Power(mW) $\phi_s [2]$	Radiation Pattern
White	LXHL-LW3C	60.0	65	Lambertian
Green	LXHL-LM3E	51.7	64	
Cyan	LXHL-LE3C	51.7	64	
Blue	LXHL-LB3C	13.9	23	
Royal blue	LXHL-LR3C	275mW	340mW	
Red	LXHL-LD3C	627nm		
Red-Orange	LXHL-LH3C	617nm		
Amber	LXHL-LL3C	590nm		



Padration Pattern: Lambertian

